

Side Table Assembly Instructions



Thank you for purchasing your new metal lawn side table from Torrains Mfg. Co., LLC.

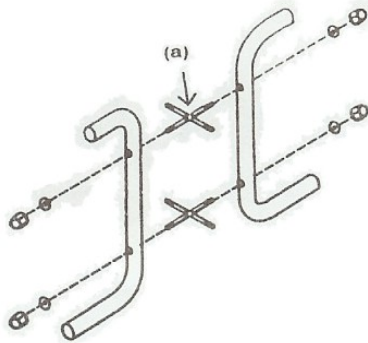
Occasionally, when opening your metal lawn table, you may have some discoloration. This is caused from condensation in the packing. It is easily removed with chrome polish and a soft cloth.

Assemble on padded surface.

- (a) "+" shaped bolt (2 pcs)
- (b) Screws (4 pcs)
- (c) Nuts (12 pcs)
- (d) Washers (12 pcs)

- feet caps (4 pcs)
- inside caps (4 pcs)

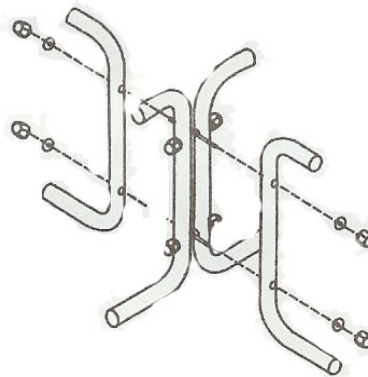
Step 1



Attach feet caps to the legs on the end that does not have the hole. The inside caps go on the end with the hole. These are not really necessary and can be left off if you choose.

Attach each leg to "+" shaped bolt (a) with washers (d) and nuts (c).

Assemble as shown. Do not completely tighten.



Assemble opposite legs to the "+" shaped bolt. Then attached the remaining legs.

Do not completely tighten.



Step 2

Put the table top upside down on padded surface and attach the leg assembly to top using screws (b), washers (d) and nuts (c).

Do not completely tighten, go back and tighten all nuts on legs then finish tightening to top.